

## Digital Phase Protector: W-PR3



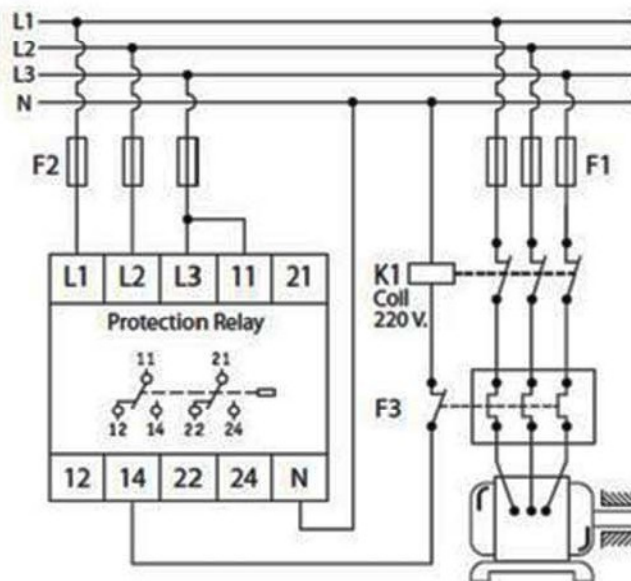
3Phase Under, Over and Voltage unbalance with adjustable time delay, selectable input voltage

### System parameter table

No.	LED	Description	Range	Default
1	OV	Set Over voltage	10 to 20%	12%
2	UV	Set Under voltage	2 to 20%	12%
3	UB	Set Voltage unbalance	2 to 20%	12%
4	T.On	Set time delay on	0 to 15 min.	0 min.
5	T.Off	Set time delay off	0 to 5 sec.	2 sec.

\* Setting time off only under voltage function.  
F2 = 2 Amp Fast acting fuses recommend for safety (Not required)

### Wiring diagram

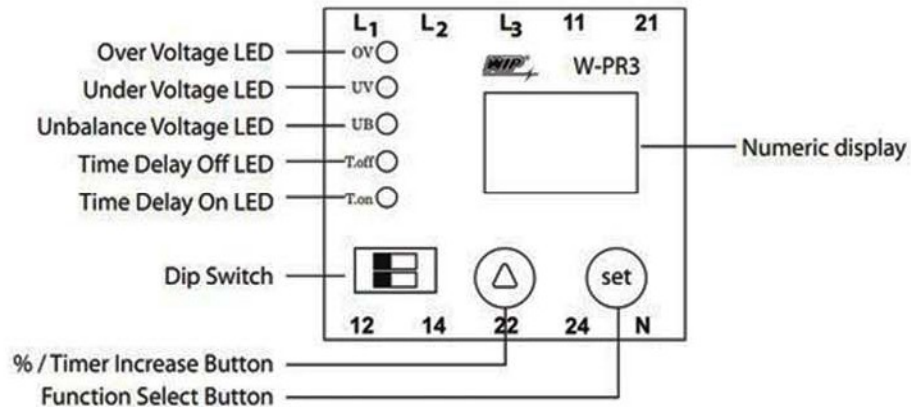


K1 = Contactor  
F1 = Main fuse  
F3 = Overload relay



## Digital Phase Protector: W-PR3

### Front panel



### General spec

Approved standard:	CE Mark
Power consumption	0.9 w/phase
Input voltage:	220, 440 VAC 3Ø (Requirement) 380, 400 or 415 VAC 3Ø (Selectable)
System frequency:	50/60 Hz
Accuracy:	+/- 0.5% of normal voltage
Display:	7-segment Red LED Letter 0.39" (9.90mm)
Phase sequence:	R S T
Over voltage (OV):	Adjustable from 10% ... 20%
Under voltage (UV):	Adjustable from 2% ... 20%
Voltage unbalance (UB):	Adjustable from 2% ... 20%
Differential (Hysteresis):	Preset at 1%
Delay off:	UV and UB Adjustable 1... 5 sec. OV preset at 2 sec.
Time delay ON:	Adjustable from 0... 15 min
Output type:	2-pole change over (DPDT)
Contact rating:	5A at 250VAC
Operations:	Mechanical: 2 x 10 <sup>7</sup> times Electrical: 1 x 10 <sup>5</sup> times
Relay reset:	Automatic
Operating temperature:	-10°C ... +55°C
Storage temperature:	-10°C ... +70°C
Ambient humidity:	Max 85%RH
Mounting:	DIN rail 35mm
Housing:	ABS UL94V-0
Protection class:	IP20
Wire fixing:	Screw terminal block (3.5mm <sup>2</sup> self lifting)
Indicator:	LED 3mm
Dimension in mm:	55 x 76 x 106
Weight:	245g



## Digital Phase Protector: W-OP4



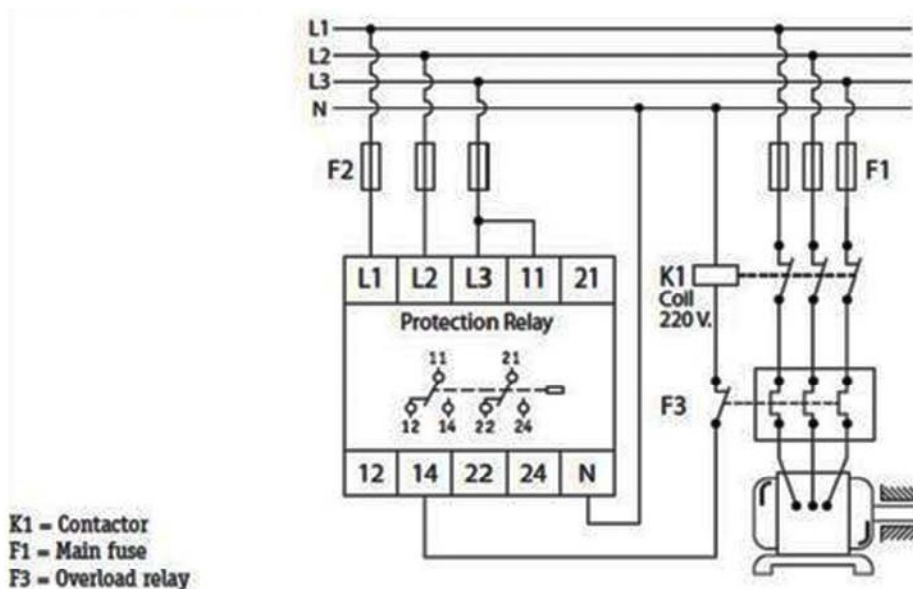
3Phase Under, Over and Voltage unbalance with selectable input voltage

### System parameter table

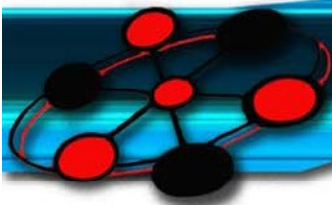
No.	LED	Description	Range	Default
1	OV	Set Over voltage	10 to 20%	12%
2	UV	Set Under voltage	2 to 20%	12%
3	UB	Set Voltage unbalance	2 to 20%	12%
4	Time	Set Time delay for UV, UB	1 to 5 sec.	2 Sec.

F2 = 2 Amp Fast acting fuses recommend for safety (Not required)

### Wiring diagram

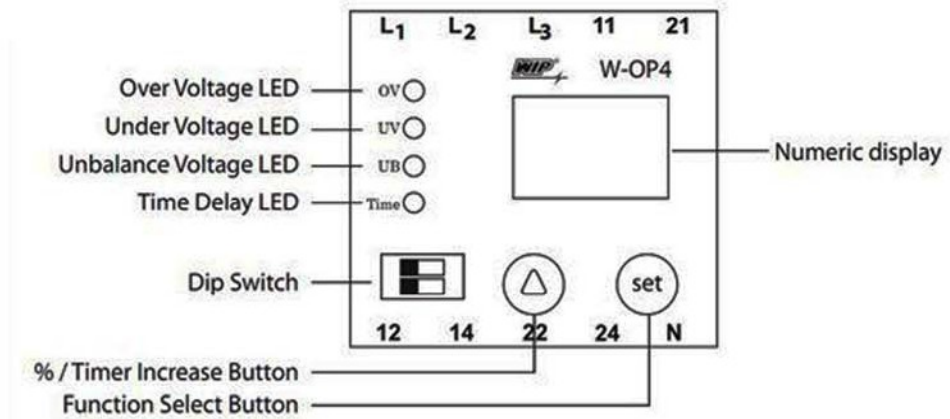






## Digital Phase Protector: W-PR3

Front panel



General spec

Approved standard:	CE Mark
Power consumption	0.9 w/phase
Input voltage:	220, 440 VAC 3Ø (Requirement) 380, 400 or 415 VAC 3Ø (Selectable)
System frequency:	50/60 Hz
Accuracy:	+/- 0.5% of normal voltage
Display:	7-segment Red LED Letter 0.39" (9.90mm)
Over voltage (OV):	Adjustable from 10% ... 20%
Under voltage (UV):	Adjustable from 2% ... 20%
Voltage unbalance (UB):	Adjustable from 2% ... 20%
Differential (Hysteresis):	Preset at 1%
Delay off:	UV and UB Adjustable 1... 5 sec. OV preset at 2 sec.
Output type:	2-pole change over (DPDT)
Contact rating:	5A at 250VAC
Operations:	Mechanical: $2 \times 10^7$ times Electrical: $1 \times 10^5$ times
Relay reset:	Automatic

Dip Switch	Voltage
	380 VAC
	400 VAC
	415 VAC