

PAN-GLOBE

E SERIES SCR POWER REGULATOR



Introduction to products

The E series simple type of electric power regulators are a set of brand new controllers developed by this company after the P series to reduce costs of controllers, to make the volume smaller and to improve visual appearance. They are used in simply controlled places, and mainly used to control general heating wires. The entire series is formed after mold opening, so they are beautiful, economic and beneficial. They will be the highlights in the field of SCR power regulators.

Characteristics

- Full series mold opening and formation is beautiful and handsome, with further reduced volume and easy installation and wiring
- With additional high speed fuses to prevent short-circuited current (di/dt) causing damage to SCR
- Several LED indicators to immediately judge causes of failures in the case of any emergency, and they can be quickly removed
- Overall support to 4-20mA, 2-10VDC, 0-12VDC and 1-5VDC control input
- Multiple control modes, multiple selection, high quality without any interference

Overall dimension

unit:mm

Single Phase	L	W	H
40A~50A	160	101	122
60A~120A	225	110	162
3-phase	L	W	H
30A~120A	225	140	190



E SERIES SCR POWER REGULATOR

Technical parameters

Control input signals	Current input: 4-20mA DC input impedance:120 Ω
	Voltage input:1-5V,0-5V
	Manual input: 10KΩ potentiometer
	Contact control input
Load rated voltage range	220V: 220V AC ± 10%50HZ
	380V: 380V AC ± 10%50HZ
Effective value current and refrigerating system	40A, 60A, 80A, 100A, 120A Compulsory air cooling system
Control mode	Phase control
	Time portion zero cross-over control at the cycle for 1 second
	Adjustable cycle zero cross-over control at the cycle regulation range between 1 and 60 seconds
	Distributive zero cross-over control at the cycle for 1 second
Materials and exterior coatings	Steel plate/paint coatings

Appendix forms

E — — — — —

power supply	Code	Control mode	Code	Power voltage	Type of current	Protection mode	Code
Single phase	1	Phase angle control	P	220V	40A ~ 120A	No selected	0
3-phase	3	Time portion zero cross-over control	Z	380V	Customized as per the requirements of current	Quick melting fuse tubes	1
		Adjustable cycle zero cross-over control	S				
		Distribution zero cross-over control	D				



SCR Power Controllers Phase-Angle Fired

(Resistive Loads Only)

- Extends Heater Life- Eliminates Thermal Shock
- Optically Isolated
- Capacity up to 120 Amps
- Diagnostic Indicators
- Self-Synchronizing to Line Frequency
- Isolated Heat Sinks
- Compact Design
- Full Protection Against Line Voltage Spikes

SSP SERIES SCR

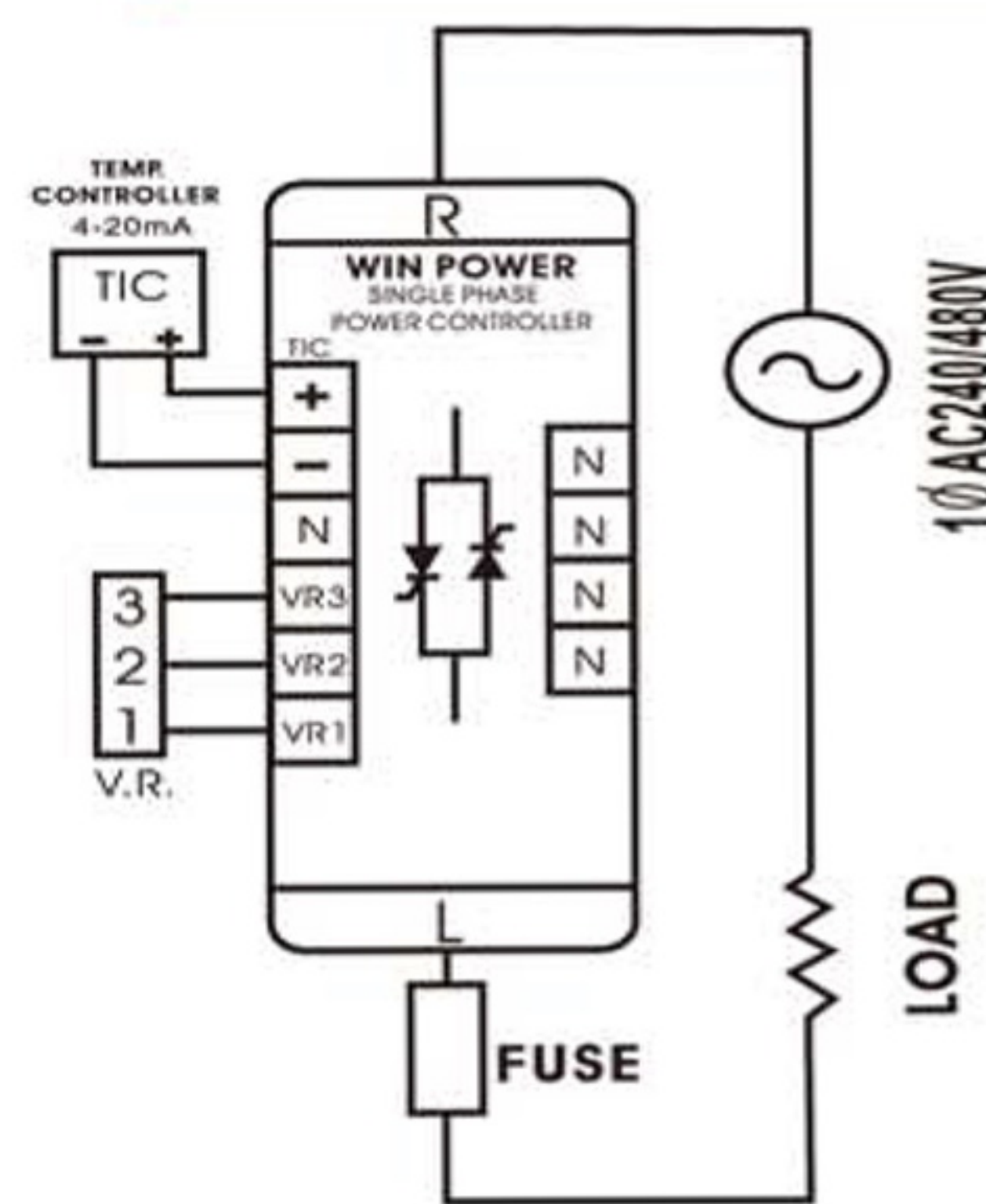
SinglePhasePowerController



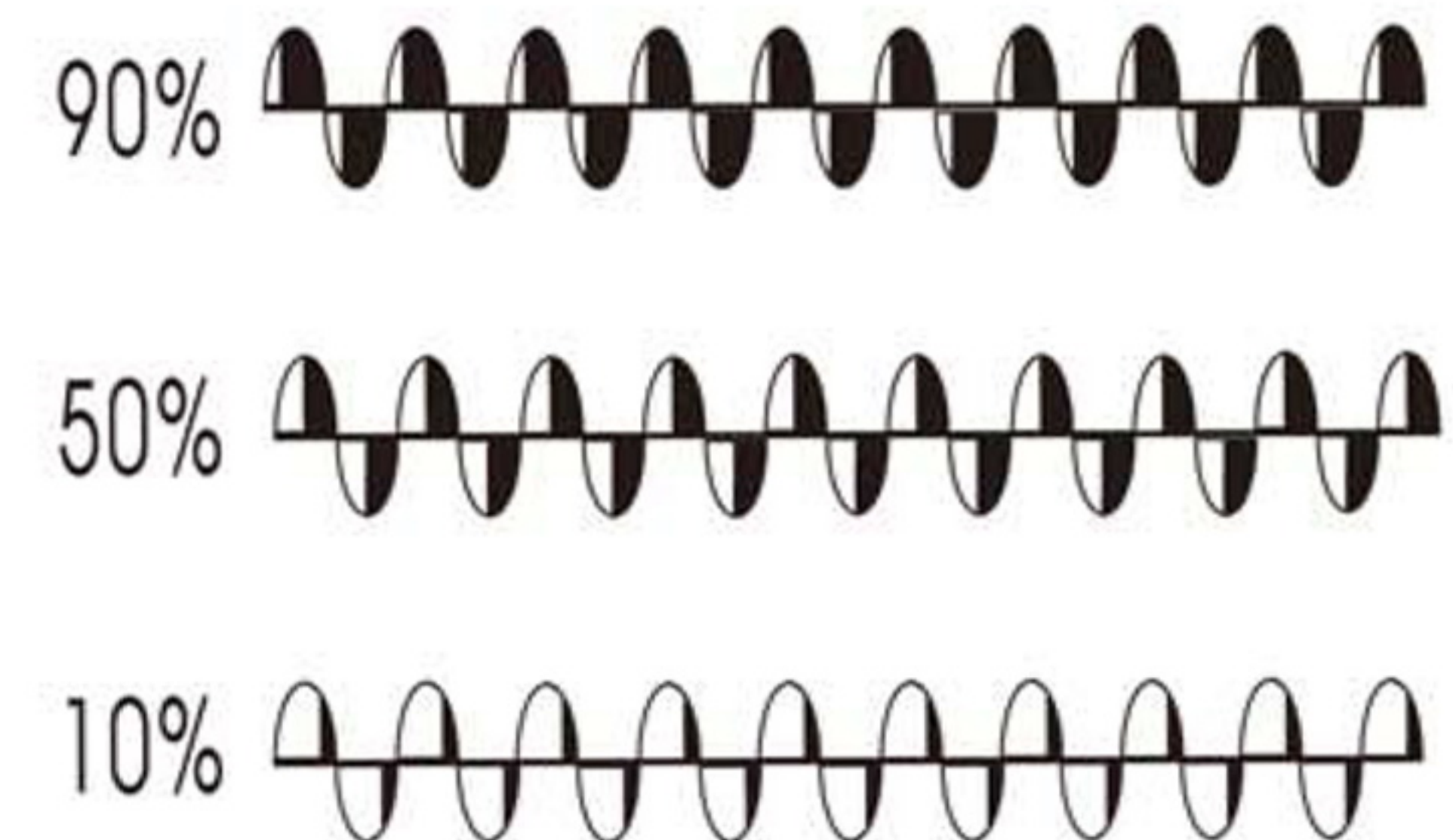
S TYPE

L TYPE

H TYPE



SSP type phase angle:



Specifications

- Supply Voltage:** 100 to 480 Vac
- Frequency:** 50-60 Hz
- Current Rating:** 30... 120 A
- Control Signal Isolation:** 2500 Vac
- Input Control:** 4-20mA
- Transient Voltage**
- Protection:** MOV and RC suppression
- Ambient Temperature**
- Range:** 32° to 122° F (0° to 50° C)
for listed current rating
- Load:** SSP -1 phase, 1 lines controlled
- Diagnostic**
- Indicators:** Shorted or open SCR
reversed signal Input (mA/V)

Outside Dimension and Weight

S TYPE

Size: 120X75X103 mm(LXWXH)
Weight:30-40A=600g,50-75A=700,100-120A=1200g

L TYPE

Size: 130X50X68 mm(LXWXH)
Weight:30-40A=350g,50-75A=450g,100-120A=550g

H TYPE

Size: 120X60X152 mm(LXWXH)
Weight:30-40=750g,50-75A=850g,100-120A=1450g

Ordering Information

